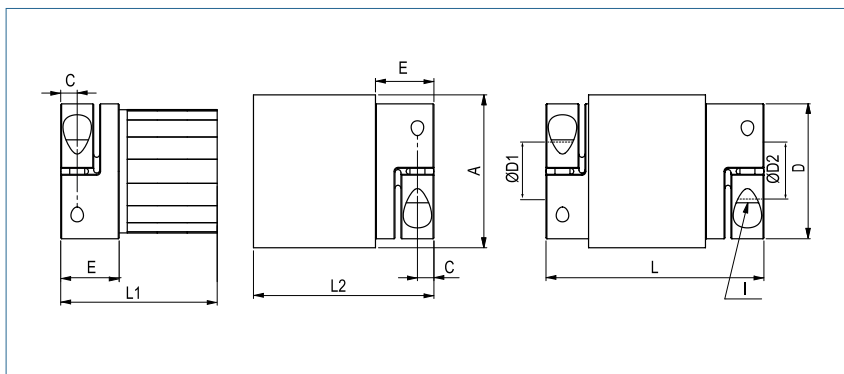
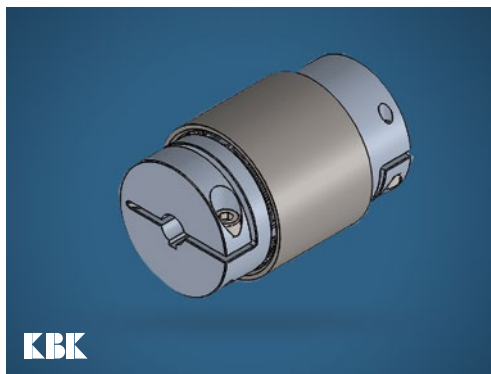


optional full stainless steel version

Permanent magnet coupling

with collet clamps



Order Code

PMK - 18 - 16 - 20

Type Size ØD1 (H7) ØD2 (H7)

Size	Torque TKN (Nm)	Dimensions (mm)										Technical Data						
		L Length	Ø A Outer	D1/D2 Bore Size (H7) min-max	L1	L2	H	C	E	Magnet-length	Hub Ø	I Screw (ISO4762) TA (Nm)	Mass Inner-part (kg)	Mass Outer-part (kg)	Inertia Innerpart (g m ²)	Inertia Outerpart (g m ²)	Misalignment radial ΔKr (mm)	max speed min-1
2	1.2	55	31	3-14	39	41	9	3.5	11	20	25	M3 2	0.07	0.11	0.005	0.018	0.5	10000
4	2.5	58	38	6-18	40	42	12	5	13	20	32.5	M4 3.5	0.11	0.15	0.01	0.04	0.5	9000
10	5	58	46	6-25	39.5	41.5	15.5	5	13.5	20	40.5	M4 4.5	0.16	0.2	0.04	0.08	0.5	8000
18	9	78	51	10-25.4	53.5	58.5	17	5,5	19,5	30	45	M5 8	0.23	0.28	0.07	0.14	0.5	7000
30	13	88	56	10-32	58.5	63.5	20	7,5	24.5	36	56	M6 15	0.28	0.35	0.1	0.21	0.5	6000
60	30	107	67	12-35	73	78	23	10	29	40	66	M8 40	0.53	0.7	0.3	0.6	0.5	5000
150	60	130	84	12-44	91.5	93.5	28	11	33.5	50	82	M10 84	0.9	1.5	1.1	1.3	0.4	4000

+ **Material** Clamping hub: aluminium
 Magnetic media: stainless steel

Keyway optional acc. DIN 6885

Range of temperature -30 °C ~ 100 °C

+ **Characteristics** wear-free
 maintenance-free

The coupling consists of 2 separated halves; the bearing has to be provided by the customer

Infinitely variable torque adjustable by immersion depth

In case of overload the power transmission will be separated from the inner and outer part (by slightly jerking)

